

AXIS T8310 Video Surveillance Control Board

Modular control board for professional camera and video management.



- > Modular system
- > Accurate control of PTZ cameras
- > Professional design
- > Durable quality
- > Easy to install

AXIS T8310 Video Surveillance Control Board is a modular system with three separate joystick, keypad and jog dial units. The modular system allows the user to choose a simple solution such as only the joystick, or a complete solution with all three modules for both camera and video management.

AXIS T8311 Video Surveillance Joystick gives responsive and accurate control of all Axis PTZ and PTZ dome network cameras. With AXIS T8312 Video Surveillance Keypad the user quickly navigates between workspaces, cameras, views and PTZ presets. AXIS T8313 Video Surveillance Jog Dial is used for navigating through recorded video.

The units are easy to install with USB interface. When using the complete AXIS T8310 Control Board the modules are interconnected with the AXIS T8312 Keypad serving as a USB hub. AXIS T8310 Control Board is supported by AXIS Camera Station versions 3.30 and higher.

All three units are constructed in durable materials and have a professional look and finish that adapt to a surveillance room design. The units are designed for both left hand and right hand use. AXIS T8311 Joystick is a 3-axis joystick with a turn knob and six application defined hotkeys. AXIS T8312 Keypad has ten application defined hotkeys and 12 preset keys. AXIS T8313 Jog Dial also has six application defined hotkeys as well as a navigation dial.



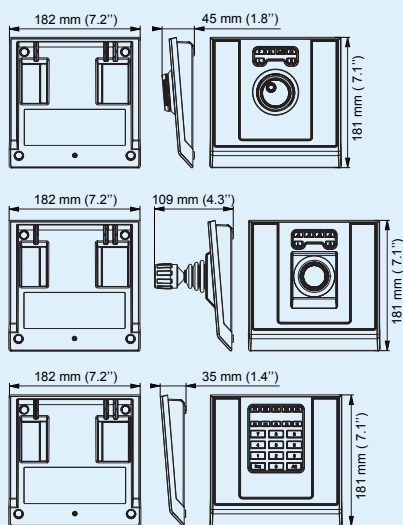
Technical specifications – AXIS T8310 Video Surveillance Control Board

AXIS T8310 Video Surveillance Control Board	
Included models	AXIS T8311 Video Surveillance Joystick AXIS T8312 Video Surveillance Keypad AXIS T8313 Video Surveillance Jog Dial
General	
Power	Via USB interface
Casing	Polycarbonate ABS
Operating temperature	0 °C to 60 °C (32 to 140 °F)
Interface	USB 1.1/ 2.0 compliant
Approvals	EN 55022: Class B; EN 55024; EN 61000-6-2; FCC Part 15 subpart b; Class B (CISPR 22) C-Tick; VCCI; ICES-003; IP20
System requirements	Windows 7, Vista, XP, 2000, 2003 Server USB 2.0 port
Compatible products	Axis network video cameras, Axis network video servers
AXIS T8311 Video Surveillance Joystick	
Functionality	Hall-effect joystick with three axis: - X/Y: for pan and tilt - Z: knob for zoom 6 application defined hotkeys
Deflection	Square delimiter Pan/Tilt (XY): +/- 15° Zoom (Z): +/- 25°
Dimensions (HxWxL)	109 x 182 x 181 mm (4.3" x 7.2" x 7.1")
Weight	730 g (1.6 lb.)
Connectors	USB type B
Included parts	1 x USB cable 200 cm (78.7") for connection to PC, User's Guide
AXIS Camera Station requirements	AXIS Camera Station version 2.11 or higher

AXIS T8312 Video Surveillance Keypad	
Functionality	22 keys: 10 application defined hotkeys of which 5 are backlit, 0-9, tab, alt
Dimensions (HxWxL)	35 x 182 x 181 mm (1.4" x 7.2" x 7.1")
Weight	630 g (1.4 lb.)
Connectors	2x USB type A, 1x USB type B
Interface	Integrated USB hub
Included parts	1 x USB cable 40 cm (15.7") for connection between units, 1 x USB cable 200 cm (78.7") for connection to PC, User's Guide
AXIS Camera Station requirements	AXIS Camera Station version 3.30 or higher
AXIS T8313 Video Surveillance Jog Dial	
Functionality	6 application defined hotkeys
Deflection	Shuttle operating angle 160°
Dimensions (HxWxL)	45 x 182 x 181 mm (1.8" x 7.2" x 7.1")
Weight	630 g (1.4 lb.)
Connectors	USB type B
Included parts	1 x USB cable 40 cm (15.7") and 1 x USB cable 80 cm (78.7") for connection between units, User's Guide
AXIS Camera Station requirements	AXIS Camera Station version 3.30 or higher

More information is available at www.axis.com

Dimensions



Compatible products

Axis network cameras



Axis video encoders

